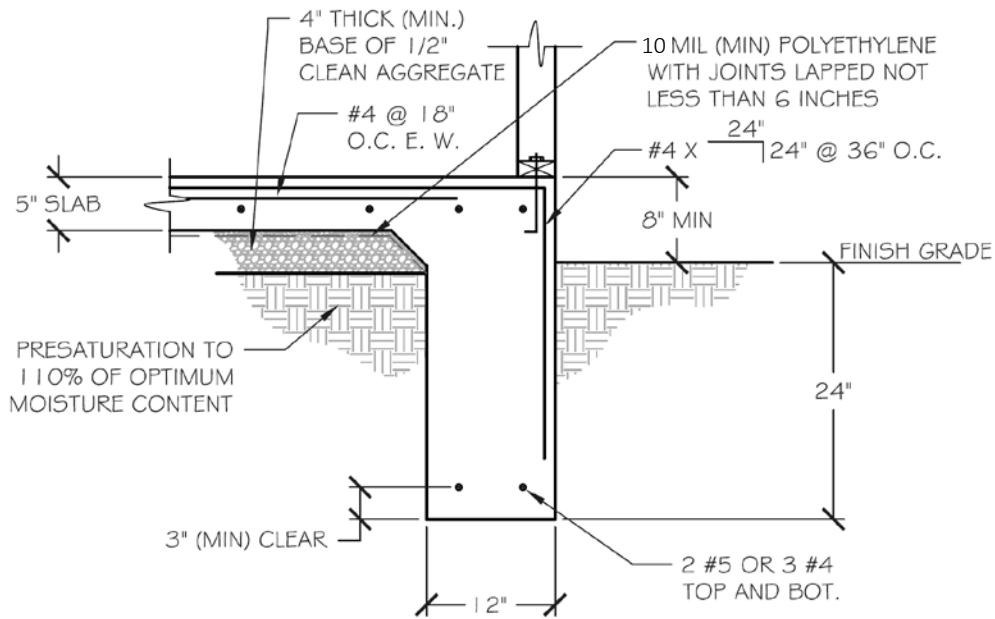


Foundation Details

SLAB ON GRADE FOUNDATION DETAIL A



RAISED FLOOR FOUNDATION DETAIL B

